

SIMPLICITY

Stay Organized

SPECIFICATION
GUIDE | 2021

Cabinets Manufacturer

CARB2 CERTIFICATION



Simplicity is proud to be a CARB2 Certified Wood Products manufacturer. Our products comply with the rules and regulations of composite wood products established by the California Code of Regulations, nationally implemented by the EPA.

TABLE OF CONTENTS

Organizer Code	Function	Pg.
SY-ORTD36	Tray Divider (Fits B36/W362424)	3
SY-SBROXXC	Sink Base Cabinets Two Tiers Roll Out	4
SY-BCNL24	Base Cabinets Tupperware Organizer	5
SY-BPNLXX	Base Cabinets Pans&Lids Organizer	6
SY-BCSO18	Tray Divider	7
SY-BBCRO	Base Blind Cabinets Roll Out Caddy	8
SY-BBCPLF	Base Blind Cabinets Roll Out Platform	9
SY-BTPO15	Base Trash Bin Pull out (Fits B15)	10
SY-BTPO18	Base Trash Bin Pull out (Fits B18)	11
SY-BROXX	Base Cabinets Roll Out	12
SY-BROXXDH	Base Cabinets Dual Height Roll out	13
SY-BROXXH	Base Cabinets High Roll Out	14
SY-SBROXX	(Vanity)Sink Base Cabinets Roll Out	15
SY-PEGB36/PEGL	Cabinets Drawer Peg Board/Peg Leg	16
SY-PL22	Suspension Support Post	17
Cleaning, Care, and Maintenance		19
Product and Finish Information		21
Warranty		22

SIMPLICITY®

Premium Roll Out and Organizer System

Great Benefits

- 1.No more kneeling down
- 2.No more stuff getting stuck all the way back
- 3.No more digging for what you need
- 4.No more clutter

Premium Quality

- 1.High end looking, build to last
- 2.All wood construction, no MDF/Particle Board at all
- 3.UV treated surface,
repel the dampness and easy to clean
- 4.Dovetail joint for beauty and sturdiness
- 5.Heavy duty soft-closing slides

Easy Installation

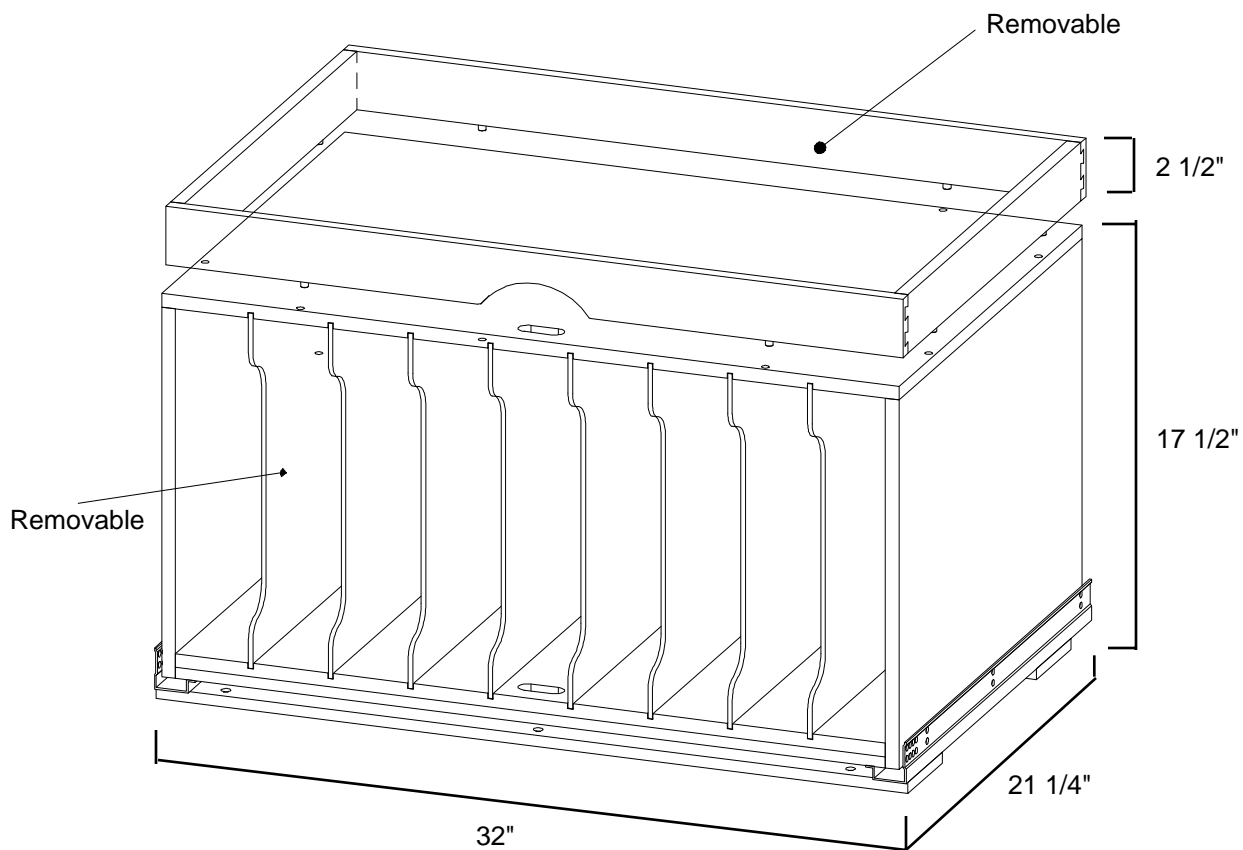
- 1.Fully assembled
- 2.No "Fancy" measuring
- 3.Can be under-mounted or side-mounted
(Additional accessory is needed)
- 4.Only needs screw driver and 8 screws

SY-ORTD36

Function: Storage for Cutting Board, Cookie Sheet, Baking Plate, etc.



Fit: B36
W362424
W362124 (After Top Wood Rim was removed)

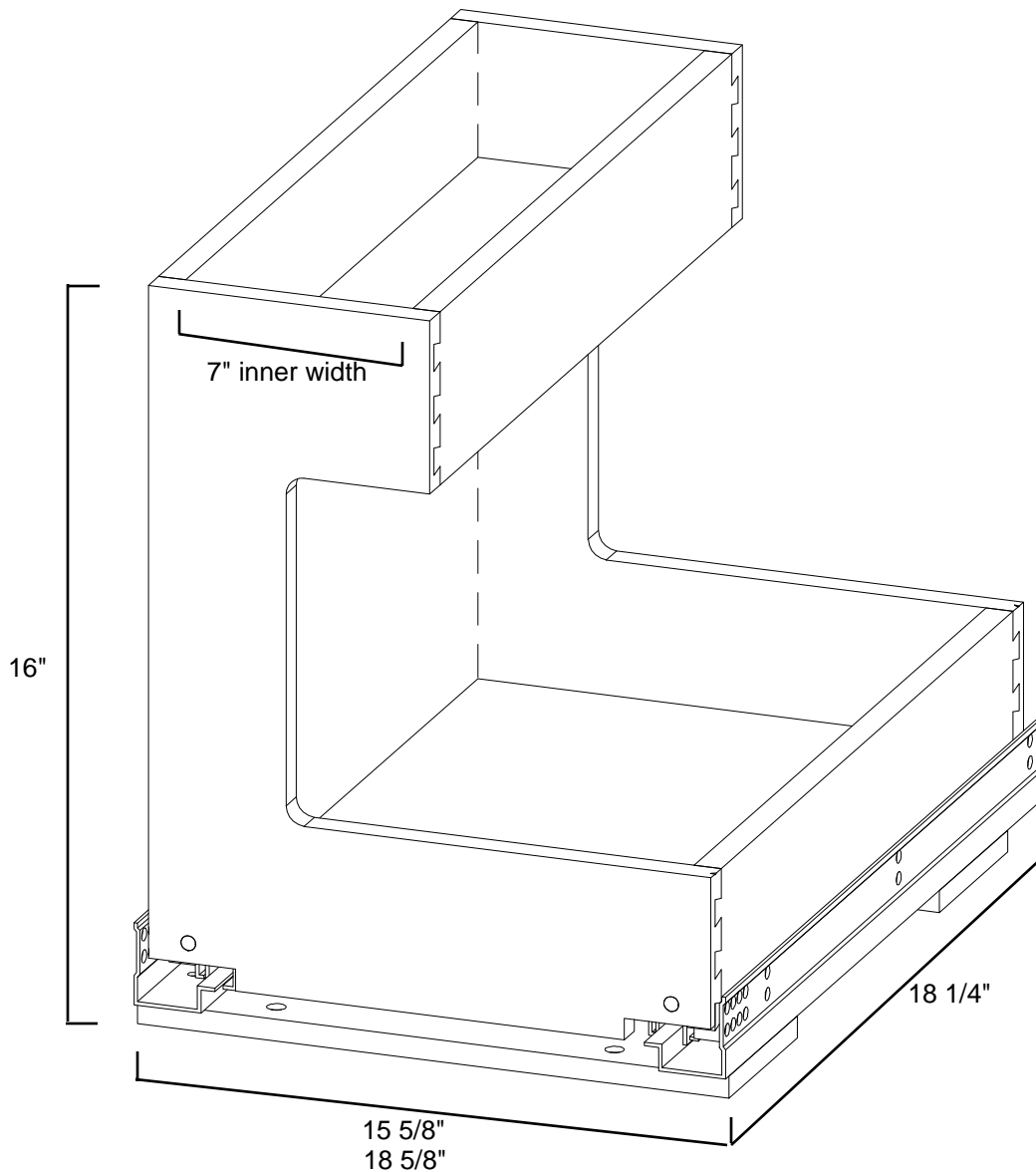


SY-SBRO15C / SBRO18C

Function: Storage for Sponge, Cleaning Detergent, etc.

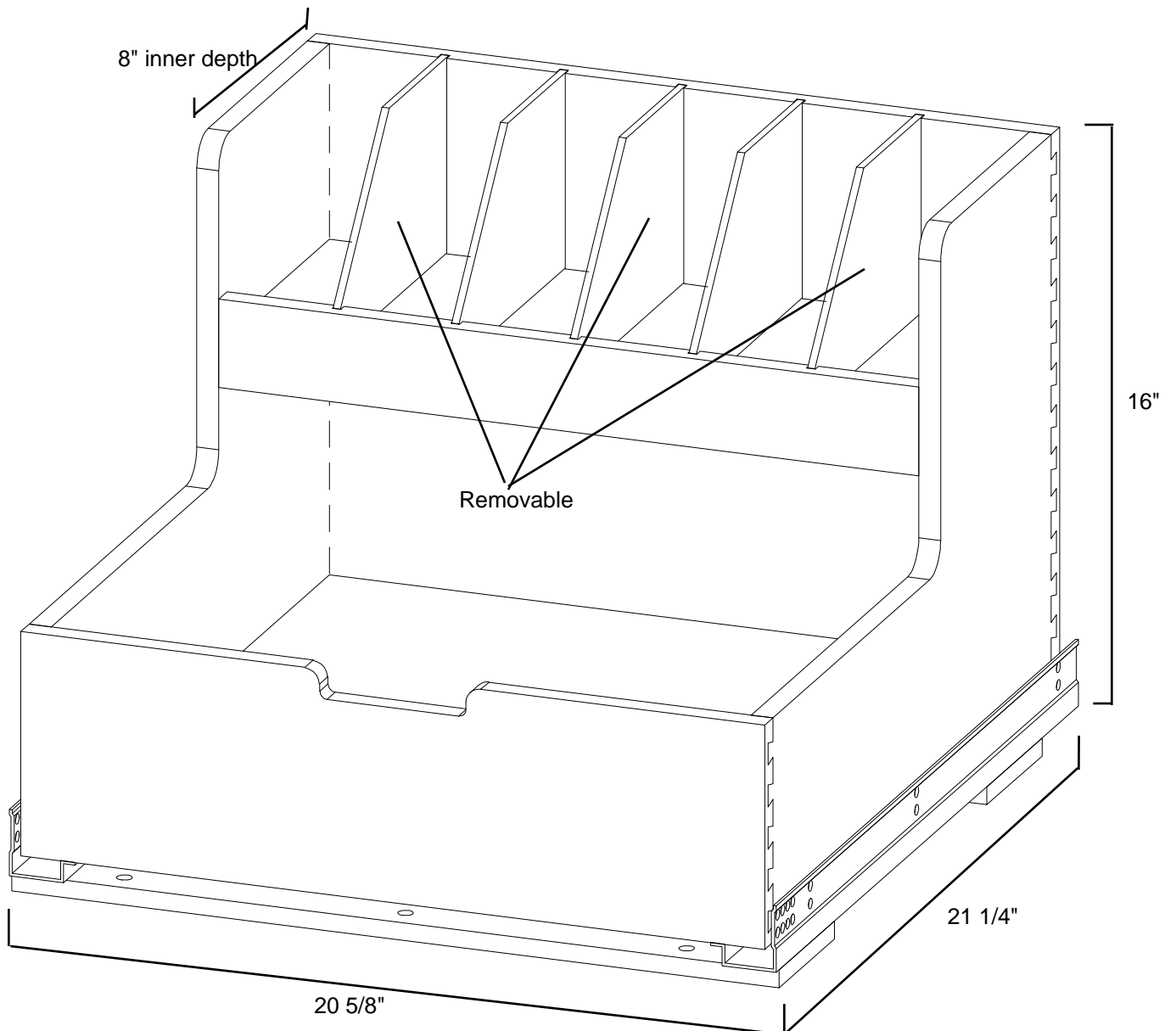


Fit: SB30 / SB33 / SB36 / SB39 / SB42



SY-BCNL24

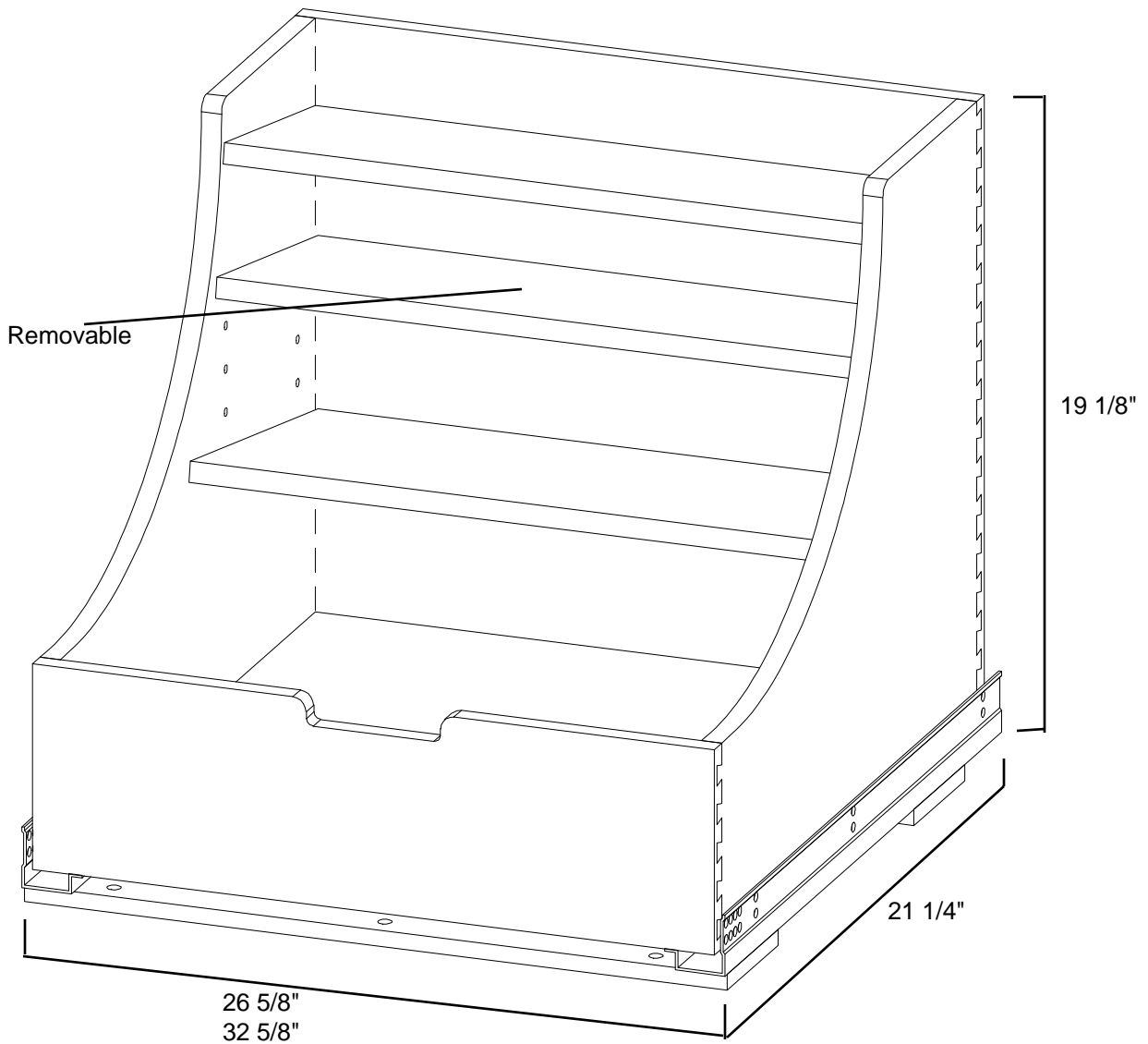
Function: Storage for Tupperware



SY-BPNL30 / BPNL36

Function: Storage for Pots&Lids

Fit: B30 / B36 / B39 /B42

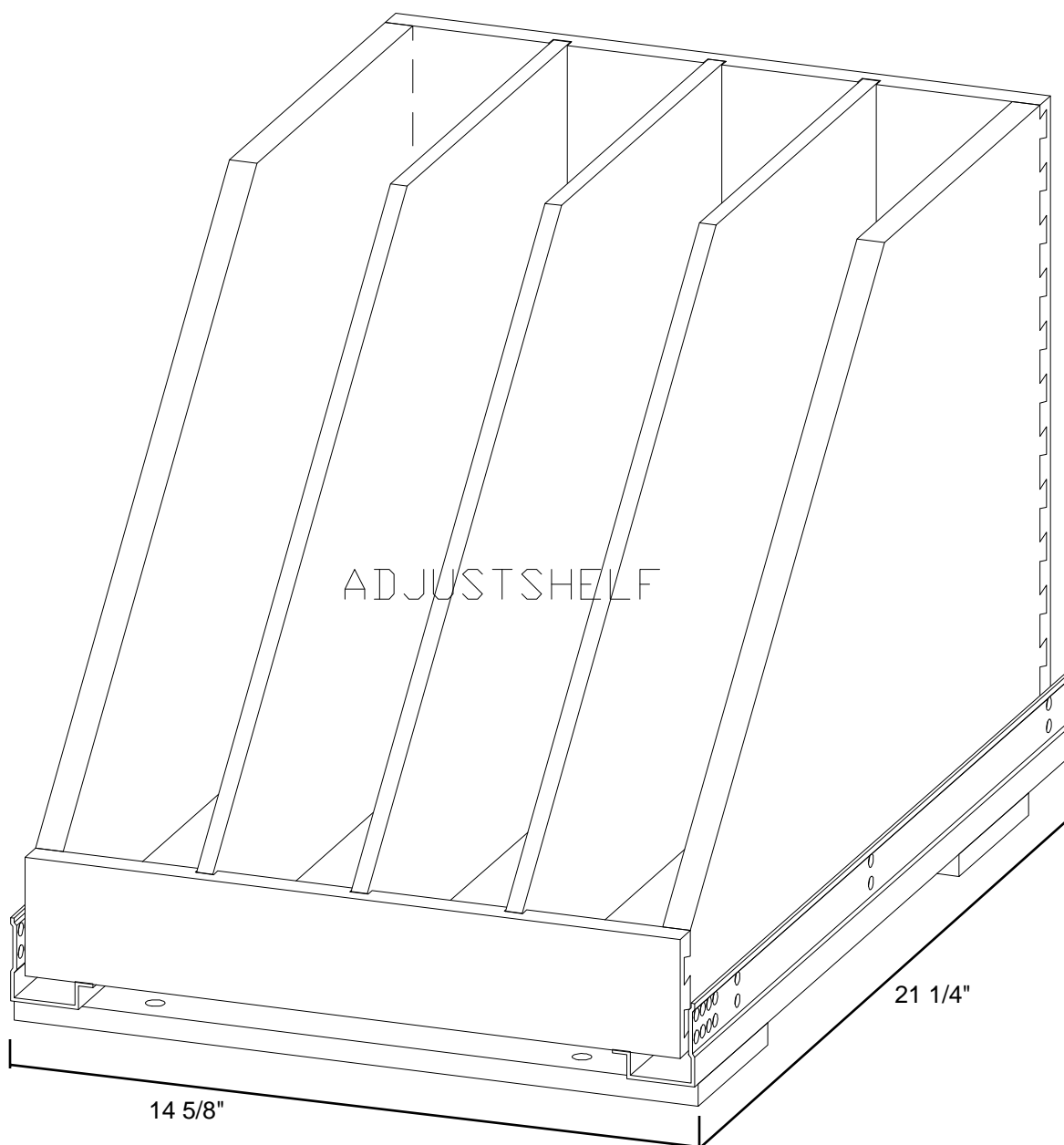


SY-BPNL30 BPNL36

SY-BCS018

Function: Storage for Cookie Sheet, Cutting board, etc

Fit: B18 / B36 / B39 / B42

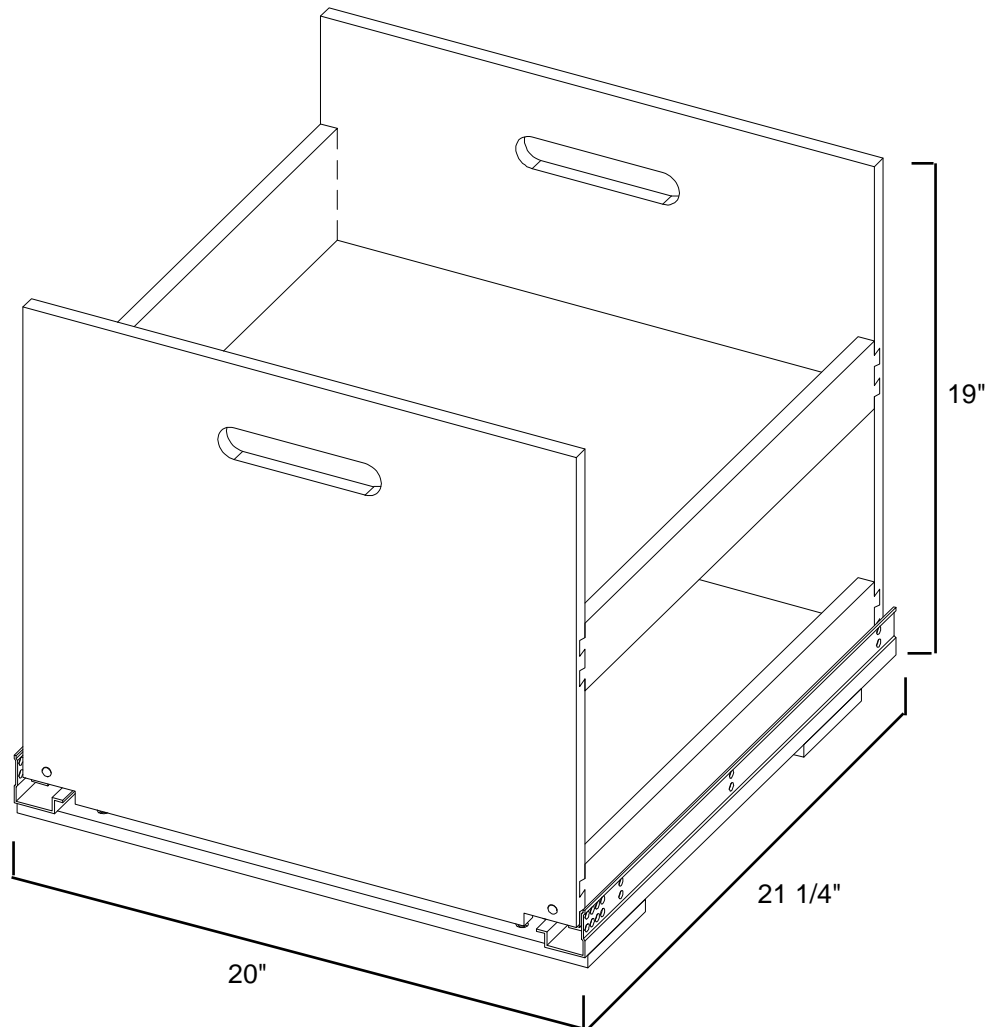


SY-BBCRO

Function: Storage for BLIND CORNER 39" / 42" / 45" / 48"
Fit: BBC42 / 45 / 48



* Need to be installed on SY-BBCPLF



SY-BBCPLF

Function: Raising up the roll out

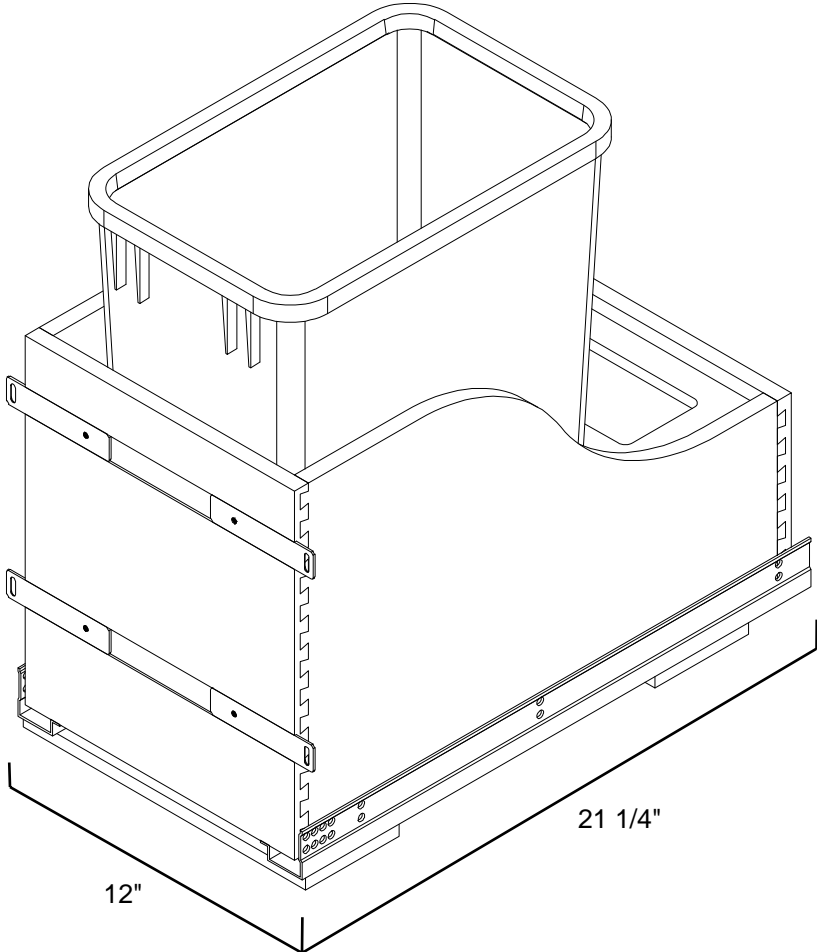
Fit: BLIND CORNER CABINETS 39/ 42 / 45 / 48



SY-BTP015

Function: Trash Can Pull Out

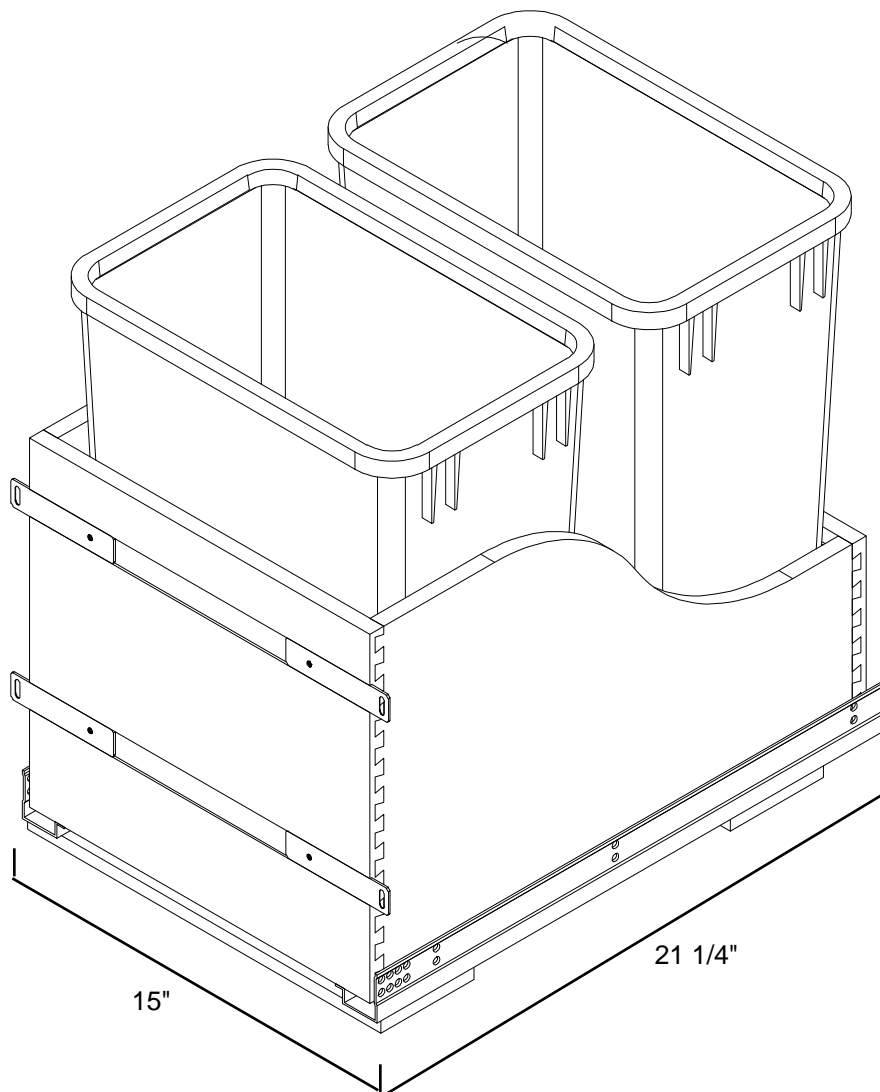
Fit: B15



SY-BTPO18

Function: Trash Can Pull Out

Fit: B18



SY-BRO^{xx}

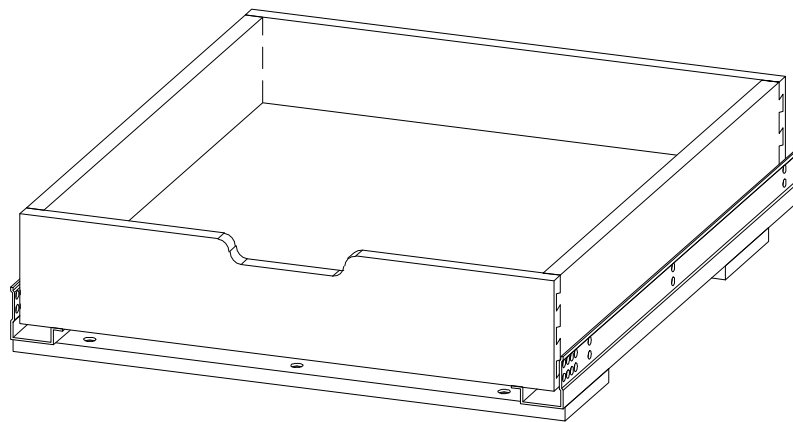
Function: Base Cabinets & Pantry Pull Out

Fit: B15 / 18 / 21 / 24 / 27 / 30 / 33 / 36

SY-BRO



ITEM CODE	ACTUAL WIDTH	ACTUAL HEIGHT	INNER DEPTH
BRO15	11 5/8"	4 5/8"	2 7/8
BRO18	14 5/8"	4 5/8"	2 7/8
BRO21	17 5/8"	4 5/8"	2 7/8
BRO24	20 5/8"	4 5/8"	2 7/8
BRO27	23 5/8"	4 5/8"	2 7/8
BRO30	26 5/8"	4 5/8"	2 7/8
BRO33	29 5/8"	4 5/8"	2 7/8
BRO36	32 5/8"	4 5/8"	2 7/8



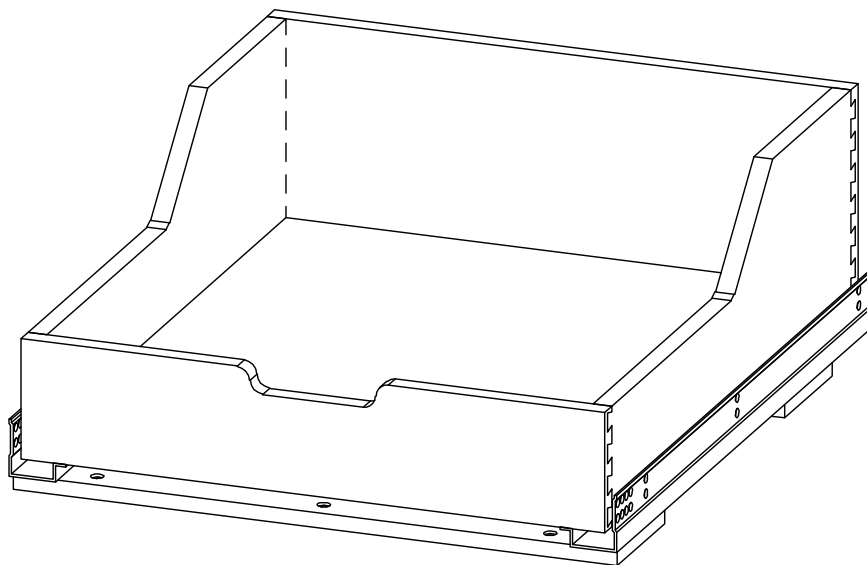
SY-BRO^{xx}DH

Function: Base Cabinets & Pantry Pull Out

Fit: B15 / 18 / 21 / 24 / 27 / 30 / 33 / 36



ITEM CODE	ACTUAL WIDTH	ACTUAL HEIGHT	INNER DEPTH
BRO15DH	11 5/8"	7 7/8"	2 7/8" & 6"
BRO18DH	14 5/8"	7 7/8"	2 7/8" & 6"
BRO21DH	17 5/8"	7 7/8"	2 7/8" & 6"
BRO24DH	20 5/8"	7 7/8"	2 7/8" & 6"
BRO27DH	23 5/8"	7 7/8"	2 7/8" & 6"
BRO30DH	26 5/8"	7 7/8"	2 7/8" & 6"
BRO33DH	29 5/8"	7 7/8"	2 7/8" & 6"
BRO36DH	32 5/8"	7 7/8"	2 7/8" & 6"

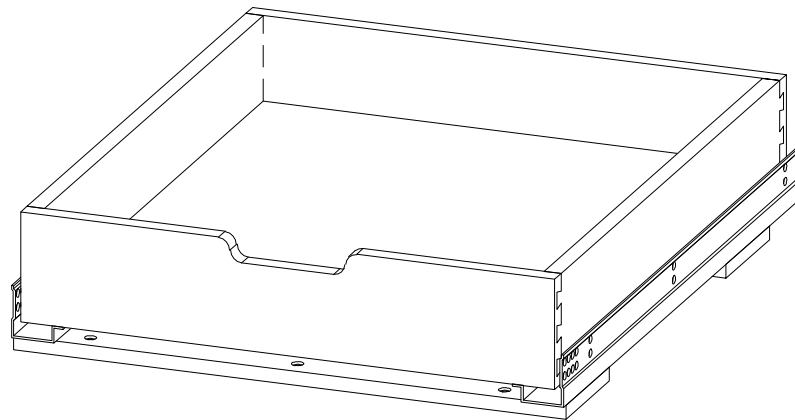


SY-BRO^{xx}H

Function: Base Cabinets & Pantry Pull Out
Fit: B15 / 18 / 21 / 24 / 27 / 30 / 33 / 36



ITEM CODE	ACTUAL WIDTH	ACTUAL HEIGHT	INNER DEPTH
BRO15H	11 5/8"	7 7/8"	6"
BRO18H	14 5/8"	7 7/8"	6"
BRO21H	17 5/8"	7 7/8"	6"
BRO24H	20 5/8"	7 7/8"	6"
BRO27H	23 5/8"	7 7/8"	6"
BRO30H	26 5/8"	7 7/8"	6"
BRO33H	29 5/8"	7 7/8"	6"
BRO36H	32 5/8"	7 7/8"	6"



SY-SBROxx

Function: Sink Base Cabinets & Vanity Sink Base Pull Out

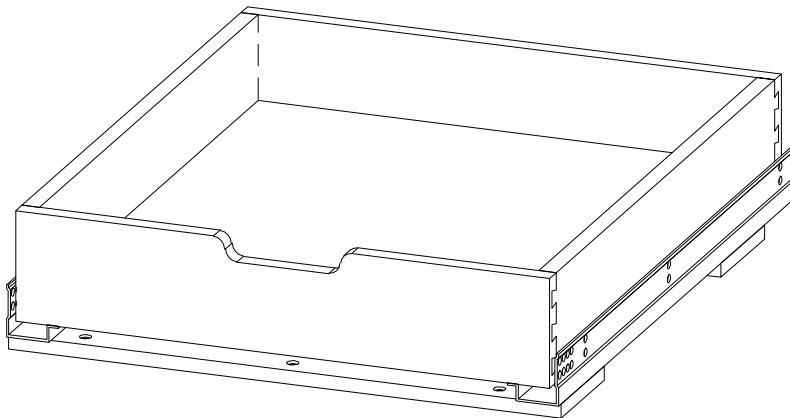
Fit: VS24 / VS27 / VS30 / VS33 / VS36

SB24 / SB27 / SB30 / SB33 / SB36

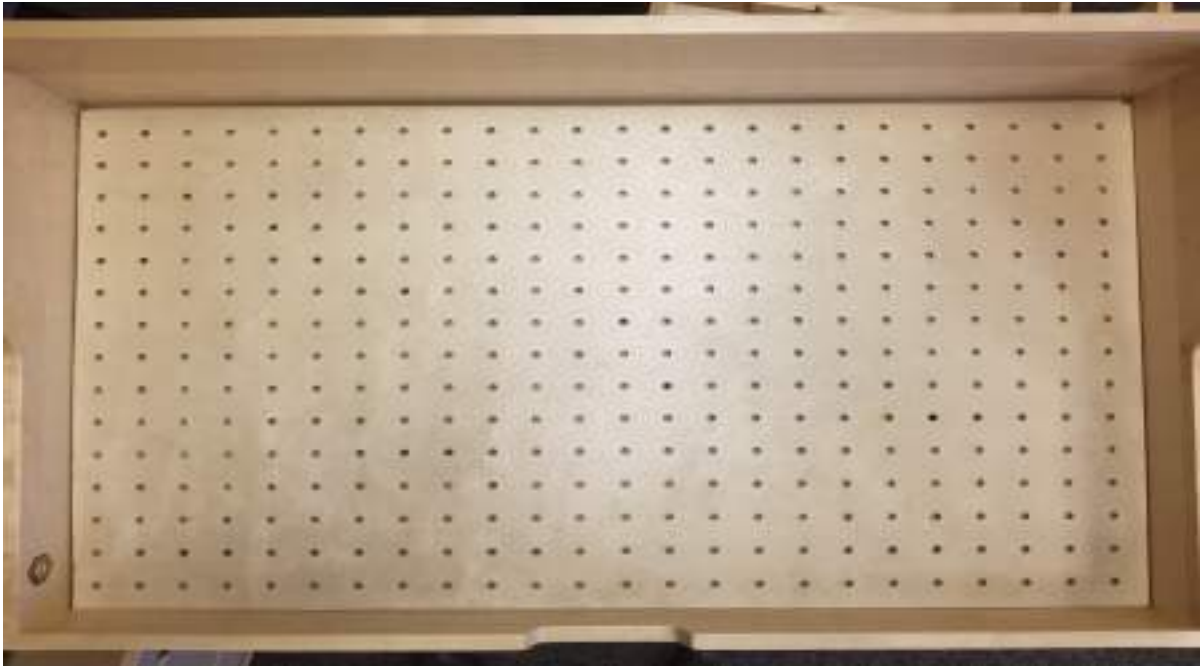


ITEM CODE	ACTUAL WIDTH	ACTUAL HEIGHT	INNER DEPTH
SBRO15	11 5/8"	4 5/8"	2 7/8"
SBRO18	14 5/8"	4 5/8"	2 7/8"
SBRO21	17 5/8"	4 5/8"	2 7/8"
SBRO24	20 5/8"	4 5/8"	2 7/8"
SBRO27	23 5/8"	4 5/8"	2 7/8"
SBRO30	26 5/8"	4 5/8"	2 7/8"
SBRO33	29 5/8"	4 5/8"	2 7/8"
SBRO36	32 5/8"	4 5/8"	2 7/8"

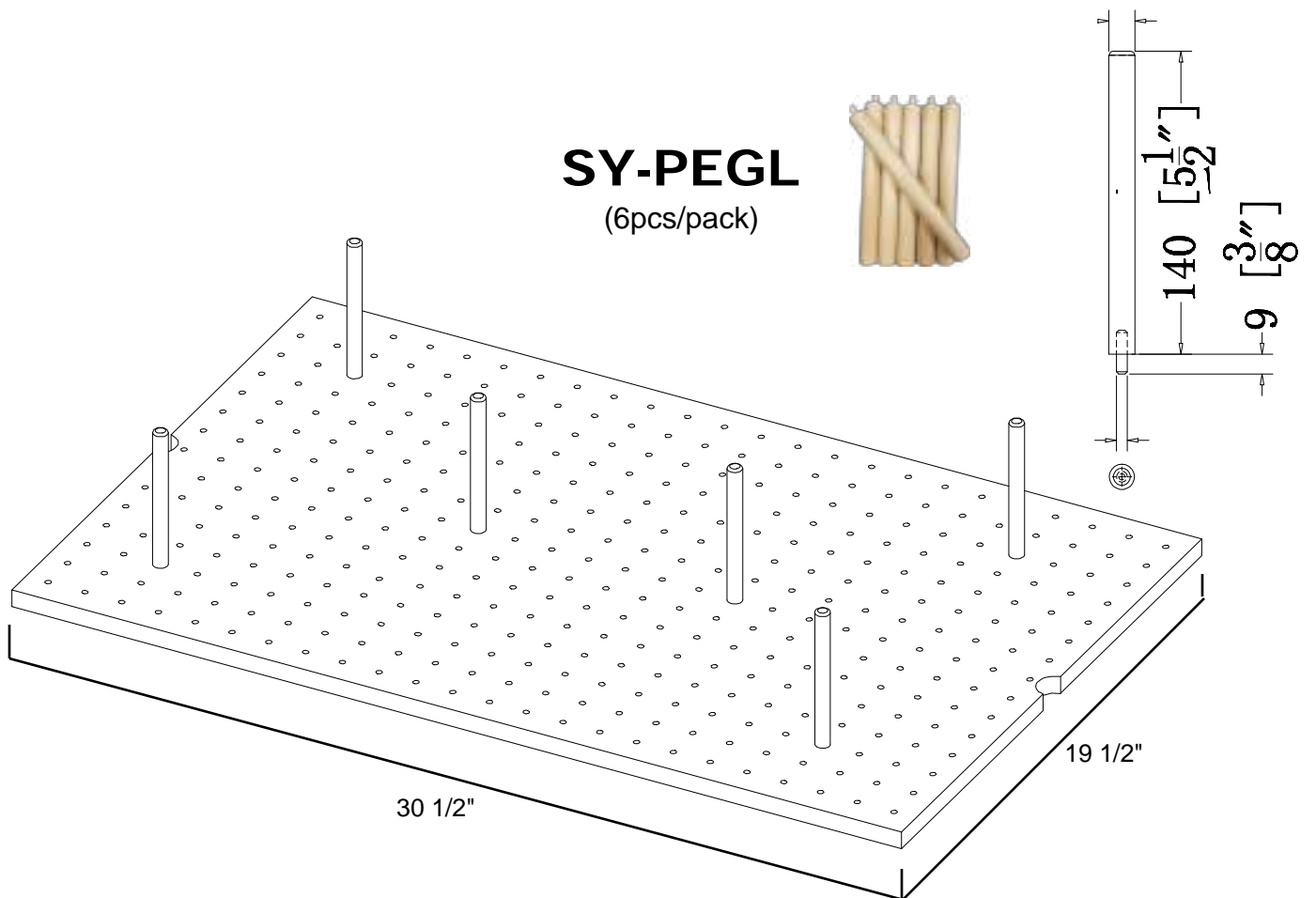
*All the SBRO are 18" deep and can be put into Vanity & Kitchen Sink Base without intercepting plumbing fixtures



SY-PEGB36

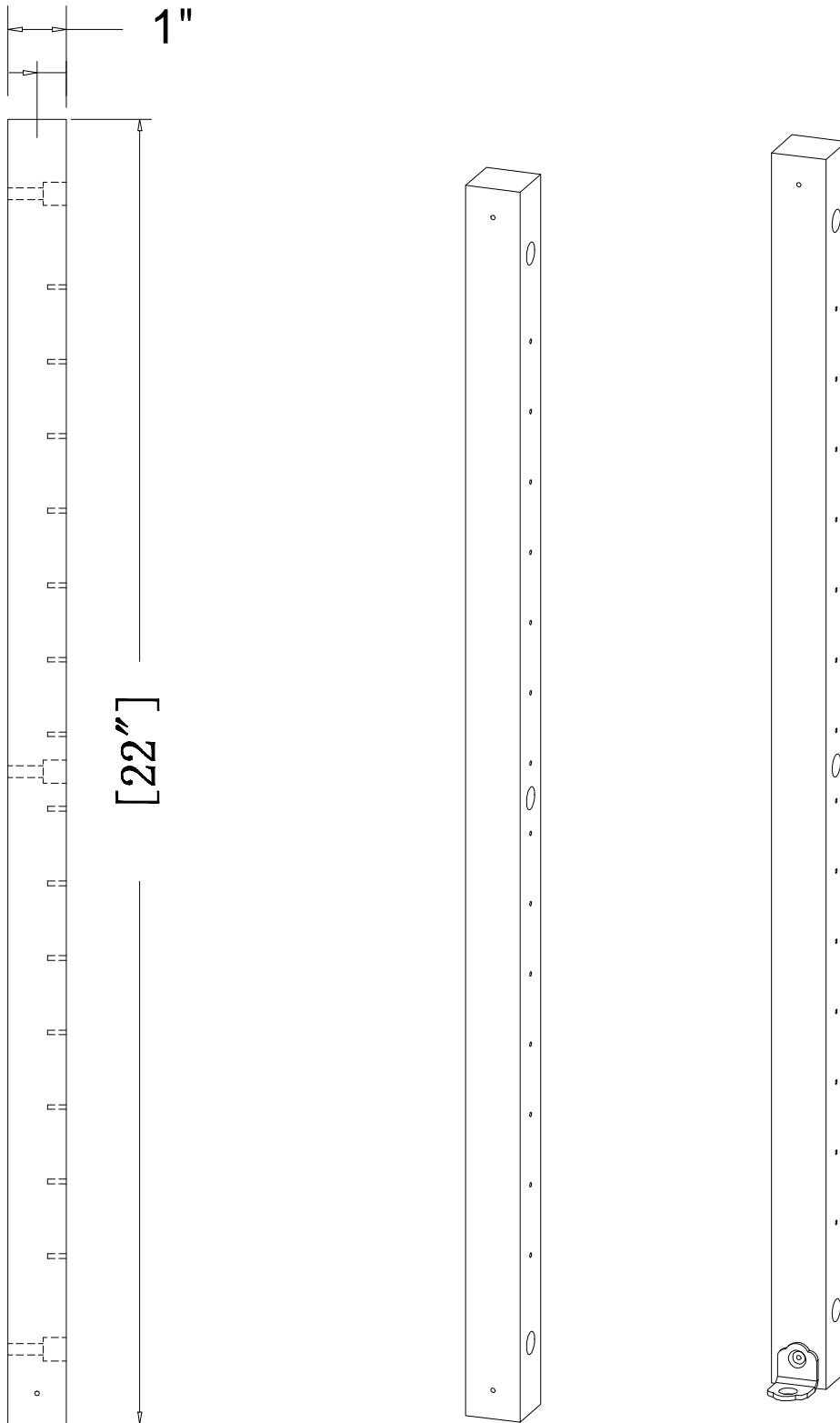


SY-PEGL
(6pcs/pack)



SY-PL22

Function: Suspension Support Post
Fit: Any size of base cabinet



How to Clean Your Cabinets

The finish on **IDC** cabinetry is just like that of a high quality piece of furniture. Although it is designed to protect against normal, every day home use, general upkeep, and cleanliness are very important. With proper care, your cabinetry will look great for generations to come.

Dusting

Dust your cabinets frequently with a soft, lint-free cloth. If need be, slightly dampen the cloth with water or a spray-type dust remover.

Spills

Clean spills and splatters immediately. Prolonged exposure to spills, including food, water, oil, grease, and other liquids, can cause permanent discoloration and/or damage to your cabinet's finish. To clean spills, use a clean, soft cloth dampened with mild soap. Dry immediately with another clean, soft cloth.

Cleaning

Use a clean, soft cloth dampened with mild soap to clean your cabinets. Dry immediately with another clean, soft cloth. There are also a variety of wood cleaning products available for use on cabinetry.

Waxing & Polishing

Waxing your cabinets is not required or recommended. Over time, the wax will build up on the surface of the cabinet. This can cause a hazy, streaky, or yellowed appearance, as well as attract dust particles. The wax can become very difficult to remove. We recommend that you clean and polish your cabinets once or twice each year. To polish your cabinets, use a light coat of quality furniture polish.

Glass Doors

If you have glass panels installed in your cabinet doors, you will want to clean them periodically. To clean the glass, you can use any commercial glass cleaner. Never apply glass cleaner directly to the glass. Spray a small amount of cleaner onto a clean, soft cloth or paper towel, then wipe the glass. Be careful not to damage the cabinet finish or hardware while cleaning.

Hardware

You will want to periodically clean knobs, pulls, or handles installed on your cabinet doors/drawers. To do so, use a clean, soft cloth dampened with mild soap. Thoroughly dry all hardware joints, surfaces, and the surrounding area with another clean, soft cloth.

Products to Avoid

- Harsh chemicals
- Solvents or petroleum-based products, such as mineral spirits, nail polish removers, or paint thinners
- Abrasive cleaning products
- Ammonia or cleaning products that may contain ammonia
- Bleach or cleaning products that may contain bleach

CLEANING, CARE, AND MAINTENANCE

How to Care for Your Cabinets

Self-Cleaning Appliances

Self-cleaning appliances use intense heat during the clean cycle. During installation and with age, the integrity of the seal or gasket on the appliance can be compromised. Because of this, **IDC** recommends the removal of any cabinet doors and/or drawers located adjacent to or directly above the appliance during a cleaning cycle.

Heat-Producing Appliances

Mounting or placing heat-producing appliances beneath cabinets is not recommended. The excess heat and moisture from appliances, such as coffee makers and toaster ovens, can damage your cabinets.

UV Effects

Ultraviolet light rays from natural sunlight can affect the appearance of your cabinets. The appearance of your cabinet(s) may change over time depending on the natural characteristics of wood and the applied finish, the amount/direction of light exposure, and the portion of the cabinet that receives light.

Cabinet Maintenance

No matter how careful you are with your cabinetry, normal wear and tear from everyday use is inevitable. This is why **IDC** has made it easier than ever to keep your cabinets looking brand new.

Touch-Up

We offer touch-up markers and fill sticks that have been specially formulated for each of our high-quality cabinet finishes. Your **IDC** design professional can assist you in how to order and how to use these products.

NOTE: *Substantial repairs may require the help of a professional refinisher.*

Adjusting Your Cabinetry Hardware

Over time, the door hinges, soft close pistons, drawer glides, and decorative hardware on your cabinetry may need to be tightened or adjusted. All of our hardware has been designed to be easily adjusted with a Phillips-head (crosshead) screwdriver. Soft close pistons are adjusted by simply turning the small dial on the backside of the piston with your finger.

PRODUCT AND FINISH INFORMATION

Because we use real wood in our products, there are certain characteristics and qualities with which you may not be familiar. Because your satisfaction is our number one priority, we want to make sure you are fully aware of the important information listed below regarding our cabinetry and the applied finish.

Expansion & Contraction

Because half of the weight of freshly cut wood is water, these natural properties are such that they can react to climate or humidity changes in your home. Doors and face frames are manufactured from solid wood that has been carefully kiln-dried, retaining just enough moisture for proper construction and finishing. The center panels of the doors are either wood or medium density fibreboard. As a product of nature, solid hardwoods continue to react to their surroundings long after the manufacturing process has been completed. When wood cabinet doors are in a warm, moist environment (high humidity), the wood expands. In a dry, colder environment (low humidity), the wood will contract. Even with humidity regulation, this phenomenon can be controlled, but it can never be completely eliminated.

Door panels are prone to minor expansion and contraction as seasonal temperature and humidity changes occur in a home. The contraction (shrinkage) of the center door panel during low humidity periods may result in the appearance of an unfinished line along the edge of the center panel. **IDC** does not consider the appearance of an unfinished line as a defect and will not replace doors due to this situation. It is recommended that a humidity control system is incorporated in a home to reduce the possibility of expansion and contraction in wood products. Touch-up markers are made available to cover this edge line. Oftentimes, touch-up for this issue may only be necessary within the first year.

IDC is not responsible for any of these conditions and variations.

Finishes

Over time, wood species in all finishes will exhibit color changes when exposed to different types of light and environment. Such color changes are to be expected and are not defects. Due to the natural variation and aging process of wood, minor differences may be observed in color match when replacing doors or adding cabinets at a later date. It is a characteristic of stained and painted wood finishes to age over time when exposed to smoke, sunlight, or general household cleaning chemicals.

Graining differences, mineral streaks, and wood color variations are expected in wood cabinetry and are not classified as defects. A newly installed kitchen could have these minor color variations.

IDC offers several types of painted finishes on cabinetry. Painted finishes are exceedingly different from the standard stained finish. Since normal movement is typical in wood products, certain climatic conditions can cause finish breaks, recesses, and joint/panel lines. Joint separation can be more visible on mitered doors. Consequently, in places and environments of extremely high or extremely low humidity, painted finishes are not recommended. Joint lines and variations are common attributes of painted finishes and will not be considered sufficient reasons for product replacement.

Some of our products have glaze finishes. Since glaze detailing is hand applied then hand wiped off, glaze may “hang up” or remain in any corners of the door or drawer profile. Because the glaze is a hand applied procedure, detailing can differ from piece to piece.

***NOTE:** Independent testing has shown that discoloration will develop on doors, drawers, and cabinet parts after continued exposure to tobacco smoke. This is remarkably apparent on white and lighter finishes. We do not warrant discoloration in our products due to exposure to smoke.*

Joint Lines

Expansion and contraction in doors and face frames can cause visible lines at the joints. The finish will still protect the surface, and the structural integrity of the joint will not be affected. An open joint line is not considered a defect.

WARRANTY

I. Description of Warranty

This warranty applies only to the original purchaser and is not transferrable. From the time of purchase, **IDC** offers an Industrial Standard 2-Years Warranty on all of its cabinetry. In addition to cabinetry, all drawers, shelves, roll out trays, and mechanical components are covered under the warranty as well. In the event that any **IDC** product fails during the course of normal use, **IDC**, at its discretion, will either repair or replace the defective product.

Whether the work was performed by a contractor, **IDC** authorized dealer; any expenses involved in the shipping, removal, installation, or consequent damage of the defective product is not covered under this warranty. This warranty does not apply to products installed in mobile homes or recreational vehicles, or by unlicensed individual(s).

II. Intended Use of Product

To be covered by this warranty, the product must be used only for its intended purpose(s). Cabinets that have been improperly stored, installed, misused, modified, mishandled, and/or subject to excessive moisture or extreme temperature and humidity levels are not covered under this warranty. In addition, any damage caused by smoking and/or environmental/chemical effects are also not covered under this warranty.

III. Anticipated Variance in Product

The **IDC** warranty only applies to product defects and does not apply to properties of natural wood that are inherent in natural wood species. Any time you have a natural wood product, occurrences such as pinholes, knots, and variances in color or grain are normal and are not covered under this warranty.

Because half of the weight of freshly cut wood is water, its natural properties are such that they can react to climate and/or humidity changes in your home. **IDC** doors and face frames are manufactured from solid wood that has been carefully kiln-dried, retaining just enough moisture for proper construction and finishing. These hardwoods continue to react to their surroundings long after the manufacturing process has been completed. When wood cabinet doors are in a warm, moist environment (high humidity), the wood expands. In a dry, colder environment (low humidity), the wood will contract. Even with humidity regulation, this phenomenon can be controlled, but it can never be completely eliminated.

Door panels may also be prone to this minor expansion and contraction as seasonal temperature and humidity changes occur in your home. The contraction (shrinkage) of the center door panel during periods of low humidity may result in the appearance of an unfinished line along the edge of the center panel. **IDC** does not consider the appearance of this line as a defect and will not replace doors due to this situation. Touch-up markers are made available to cover this edge line. The installation of a humidity control system is recommended to reduce the possibility of expansion and contraction in wood products.

All **IDC** doors are manufactured in moisture-controlled environments under precise specifications. Although slight door warpage can be common in one or two doors within a newly installed kitchen, any door that has not been through a complete heating and cooling cycle has the possibility of warping. Slight warpage can be eliminated through hinge adjustments. Any warping that continues to occur should be further examined by removing the door from the cabinet and placing it on a flat surface. Hinge spacers are available through your authorized **IDC** dealer in cases where the

warping cannot be eliminated through hinge adjustments. If warping cannot be eliminated through hinge adjustments or the use of hinge spacers, and if the doors have been through a complete heating and cooling cycle, and if all of the cabinets are true and plumb; then **IDC** will consider replacement.

As mentioned above, normal movement in wood products is typical. In addition to issues listed above, climate conditions can cause finish breaks, recesses, and joint/panel lines. An open joint line is not considered a defect and is not covered under this warranty.

IV. Product Repair or Replacement

Throughout the duration of the warranty period, Sandi Cabinet's sole obligation is to repair or replace any defective product at no charge. This warranty only applies to cabinets and affiliated products sold by **IDC** offered through an authorized **IDC** dealer. In the event that a claim is filed after the original product has been discontinued or cancelled, **IDC** will honor the warranty, at its discretion, subject to the availability of the product, by either:

- Repairing or replacing the defective product with a new product of the same style
- OR**
- Repairing or replacing the defective product with a product of equal value and complementary style in order to maintain the appearance of the original cabinetry purchase.

An exact match between the finish of the original purchased product and the replacement or repaired product is not guaranteed.

V. Rights of Consumer

There are no other warranties, disclosed or indicated, associated with this product. This document serves as a description of the consumer's definitive legal rights within the transaction and is the exclusive warranty of **IDC**. The exclusion or partial limitation of contingent or substantial damages is not permissible in some states. The consumer may also have further rights from state-to-state which are not cited in this warranty.

VI. Submission of a Claim

All claims must be submitted to the authorized **IDC** dealer where the cabinets were originally purchased. Claims are to be submitted in writing. Every claim must include a dated copy of the original sales receipt as proof of purchase. Unless and until the product is specifically requested by the **IDC** Claims Department, please do not send the defective item(s).